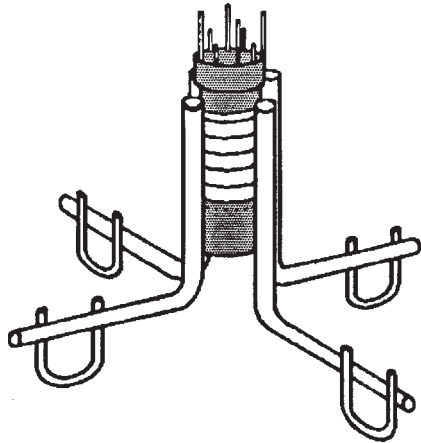




COIL LIFTING INSERTS

Although generally replaced by the Super Lift Insert, the Meadow Burke Coil Insert system is suitable for lifting panels with exposed aggregate or other specialised surface treatments. The small hole created by this type of insert facilitates patching of the surface. Coil Lifting Inserts use 32mm diameter coil bolts.

SINGLE LIFTING INSERT (For use with single swivel lift plate).

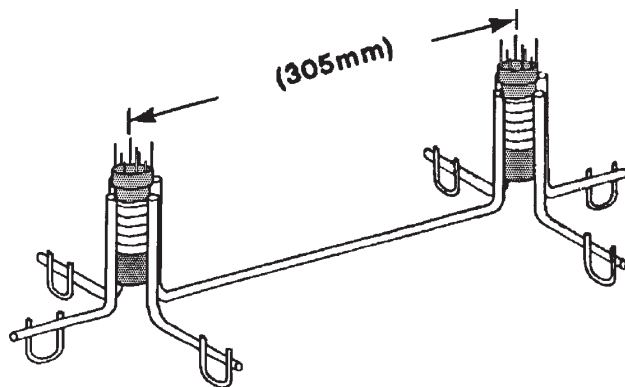


Dual lifting inserts connected by a spacing rod. For use with Double Angle Lift Plate or strongback. Comes complete with caps and seepage plugs.

N.B. When using lifting inserts with exposed aggregate panels, it is recommended that one size smaller than indicated be used to prevent corrosion problems and facilitate patching.

AVAILABLE IN SIZES: 125mm
150mm
175mm

DOUBLE LIFTING INSERT (For use with double angle lift plate)



32mm coil insert is large enough to provide a safe lift, yet small enough to facilitate patching of the surface.

Although replaced by the Superlift anchor, this insert is still used as a lifting anchor on some exposed aggregate panels.

AVAILABLE IN SIZES: 125mm
150mm
175mm

Working Loads in kN in 17 MPa Concrete, 2.5:1 Safety Factor

(This table shows loads based only on the dead load. The dead load should be increased at least 40% to compensate for initial bond and impact). Additional increases due to unusual live loads distance required to obtain the rated loads for face applications is twice the insert depth. For lightweight concrete, reduce loads by the ratio of the concrete densities.

Type of Lift	Nominal Slab Thickness in mm.			
	125	150	175	200
SINGLE LIFT INSERT				
Tension	37.01	40.78	44.48	46.98
Shear	49.32	56.94	56.94	56.94
DOUBLE LIFT INSERT				
Tension	64.77	79.00	88.97	90.03
Shear	83.34	97.15	106.05	113.168

**ADVANCED BUILDING
SYSTEMS PTY. LTD.**

Unit 2/22 Violet Street, Revesby NSW 2212
PO Box 113, North Revesby NSW 2212
Phone: (02) 9771 1011 Fax: (02) 9792 1414
Email: mjdavis@tiltbilt.com Web: www.tiltbilt.com