



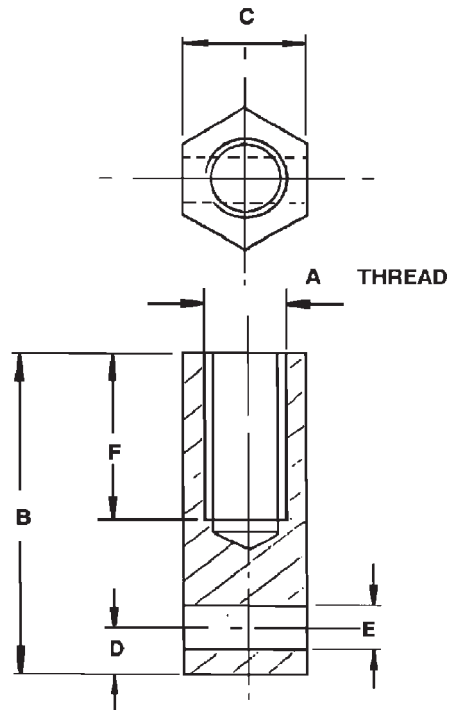
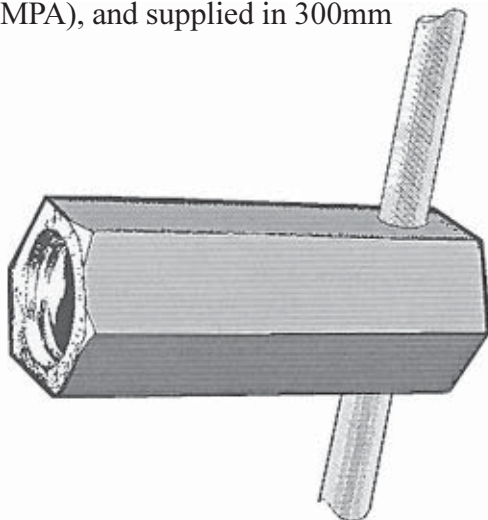
# FIXING FERRULES

## HEXAGONAL CROSS-HOLE TYPE

Test results available.

Used as a fixing insert for the panel connection to roof framing, floor slab and other structural members.

Manufactured from S1214 free cutting steel (460 MPa), and finished with hot dip galvanising to AS1214-1983. Cross bars are manufactured from round mild steel (250 MPa), and supplied in 300mm lengths.



Available with screw cap, feeler cap or nailing plate.

### Working load in kN in 32 MPa concrete for Pullout with crossbar

Safety Factor 2.33:1

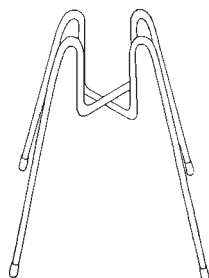
A	B	C	D	E	F
12.0	65	20	8.0	8.0	44
16.0	75	24	10.0	11.0	44
20.0	100	28	12.0	12.7	50
24.0	100	32	12.0	12.7	50
30.0	100	42	16.0	16.0	60

17.1  
22.2  
40.4  
41.7  
46.0

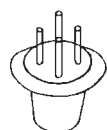
Stainless steel grades 303 and 316 also available on request.

## FERRULE ACCESSORIES

### FERRULE CHAIR



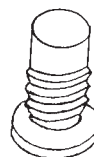
### CAPS



Feeler Cap

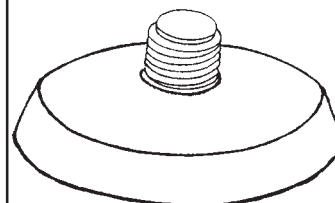


Push Cap



Screw Cap

### NAILING PLATE



**ADVANCED BUILDING SYSTEMS PTY. LTD.**

Unit 2/22 Violet Street, Revesby NSW 2212  
PO Box 113, North Revesby NSW 2212  
Phone: (02) 9771 1011 Fax: (02) 9792 1414  
Email: [mjdavis@tiltbilt.com](mailto:mjdavis@tiltbilt.com) Web: [www.tiltbilt.com](http://www.tiltbilt.com)

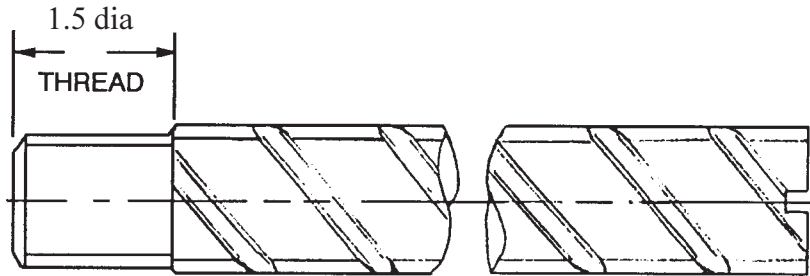


# THREADED REBAR

## THREADED REBAR

(For use with fixing ferrule)

Manufactured from plain grade 250R and deformed grade 400Y bars are required. Can be supplied without thread for use in dowelled joints in slabs and walls. Lengths, shapes and sizes as requested.



Threaded rebar and dowel bars can also be supplied hot-dipped galvanised, on request.

**ADVANCED BUILDING  
SYSTEMS PTY. LTD.**

Unit 2/22 Violet Street, Revesby NSW 2212  
PO Box 113, North Revesby NSW 2212  
Phone: (02) 9771 1011 Fax: (02) 9792 1414  
Email: [mjdavis@tiltbilt.com](mailto:mjdavis@tiltbilt.com) Web: [www.tiltbilt.com](http://www.tiltbilt.com)