



5T HAIR PIN EDGE LIFT ANCHOR

The Hairpin Anchor has gained wide popularity since it has been designed to allow the use of centrally located steel mesh.

Advanced Building Systems P/L supplies with these anchors either:-

1. A Disposable Plastic Void Former.
2. A reusable Rubber Void Former with or without a Nailing Plate.

Shear Bars must be used when edge lifting from the horizontal.

It comes galvanised.

SHEAR LOADS

5t Hairpin Anchor	Ultimate Load (kN)	Ultimate Load (Kg)
25MPa	17.9	1825
40MPa	31.7	3230

Safety Factor 2.5.1 tests by a Certified Testing Laboratory verify a Working Load Limit of 5 tonne.

TENSION LOADS

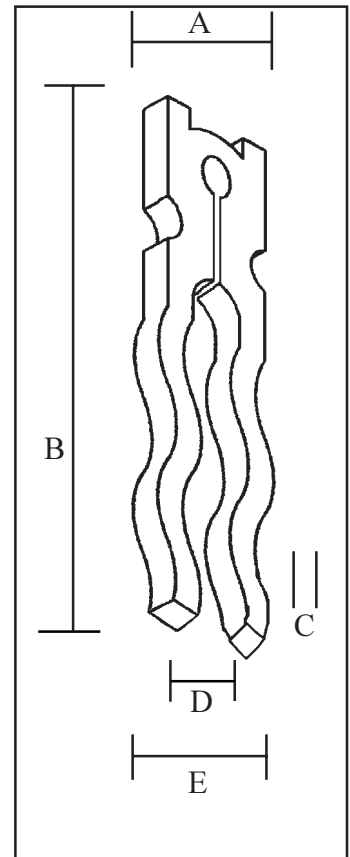
Ensure heavy mesh reinforcement and perimeter bars are used to gain WLL of 5T for tension lift in 150mm thick panels.

PLASTIC DISPOSABLE RECESSING MEMBER

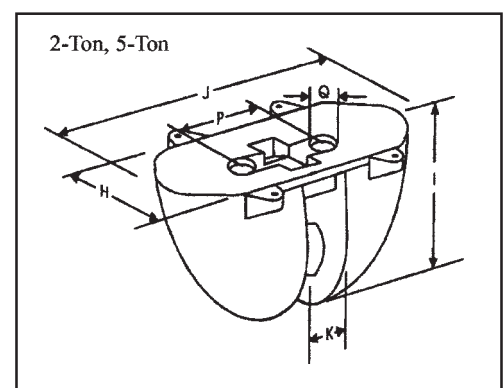
Made of high density polyethylene, the recessing member holds the Rapid-Lift Anchor in place during casting and creates a narrow, semicircular recess in the concrete for the ring clutch. The disposable recessing member is available in two and four ton sizes.

Installation:

1. Nail plastic holding plate to wood bulkhead.
2. Place recessing member on anchor.
3. Slide recessing member & anchor over holding plate.
4. Nail recessing member to bulkhead.



- A = 65mm
- B = 250mm
- C = 16mm
- D = 37mm
- E = 70mm



Description	H	I	J	K	P	Q
2-Ton	50.8mm	38.1mm	84.08mm	9.52mm	38.1mm	8mm
5-Ton	63.5mm	57.15mm	109.5mm	15.88mm	50.8mm	127mm