



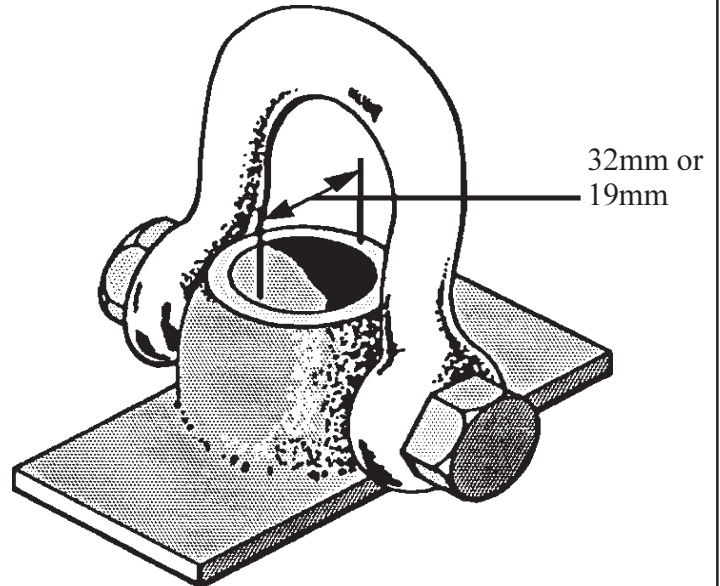
FOR HIRE

SINGLE SWIVEL LIFT PLATE

Single Swivel Lift Plate weighs 6.4 kg.
Use with 152mm coil bolts of 32mm or 19mm diameter.

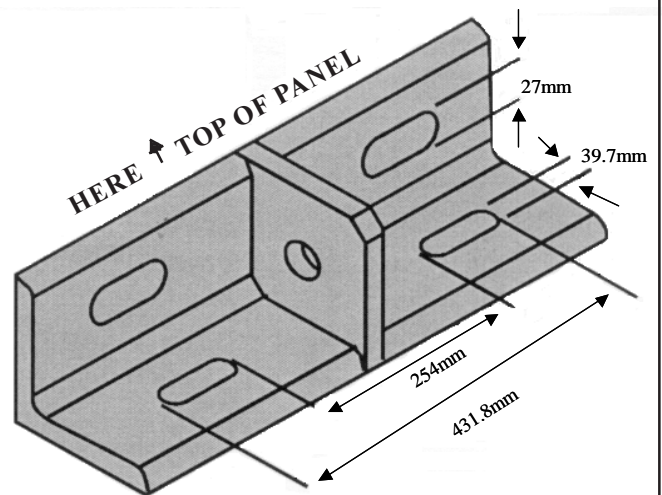
Exposed aggregate face-up panels may require longer bolts. Sleeves are available for 25mm and 19mm diameters.

Working Load Limit: 32mm dia
19mm dia
is dependent on Tensile/Shear of Taper Bolts.



DOUBLE ANGLE LIFT PLATE

Double-Angle Lift Plate is 102mm x 152mm x 19mm structural angle with welded centre lug 29mm plate. Wt. = 23.66 kgs. Use with taper bolts. These bolts require a 25mm masonry drill bit. See Taper Bolts on opposite page for W.W.L. and installation. Washers required under bolt head. Exposed aggregate face-up panels may require longer bolts.



**ADVANCED BUILDING
SYSTEMS PTY. LTD.**

Unit 2/22 Violet Street, Revesby NSW 2212
PO Box 113, North Revesby NSW 2212
Phone: (02) 9771 1011 Fax: (02) 9792 1414
Email: mjdavis@tiltbilt.com Web: www.tiltbilt.com